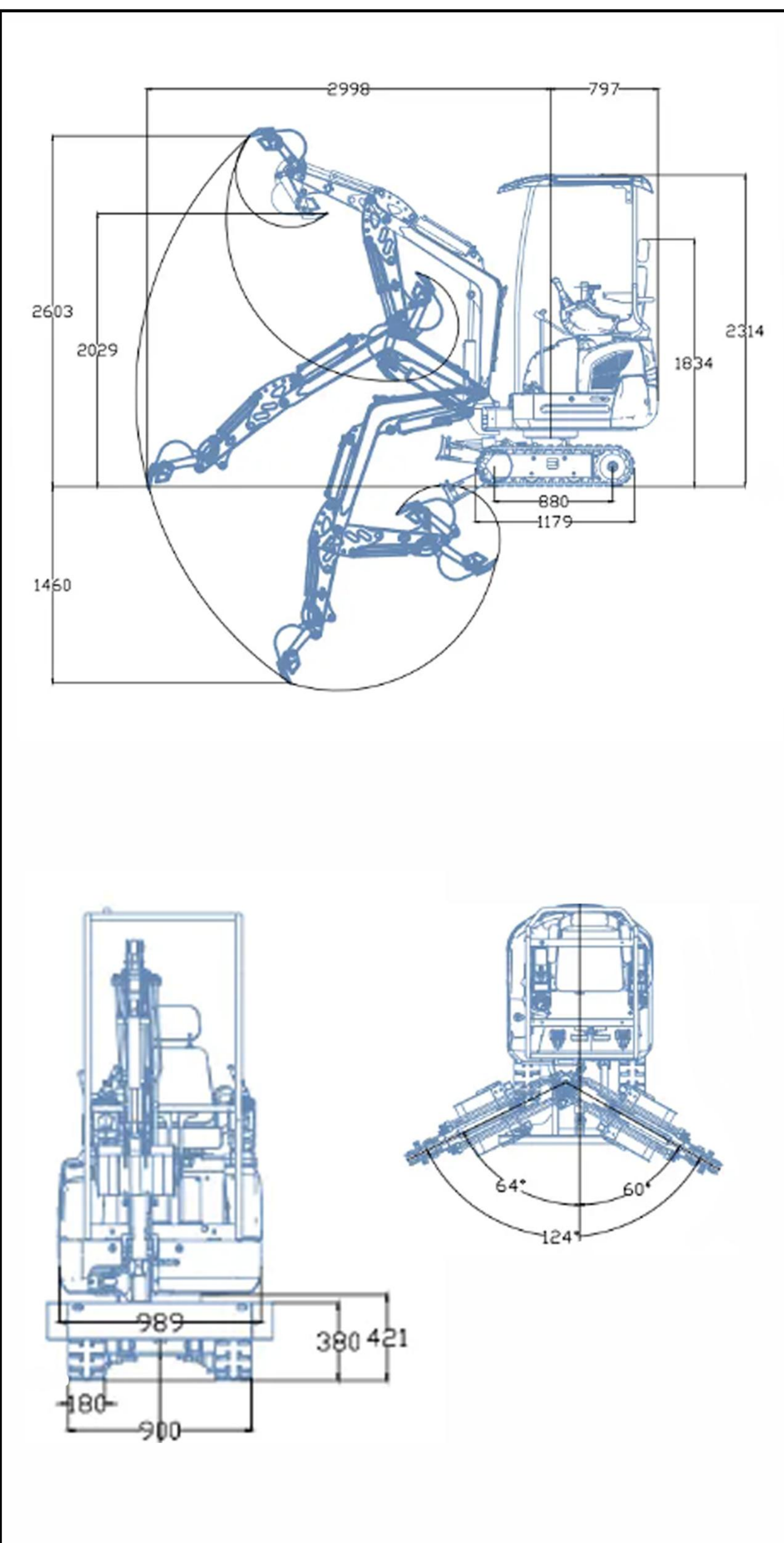


Envelope diagram



Product parameter

Basic performance parameter	Working weight of the machine (kg)	1500
	Bucket capacity (m³)	0.035
	Low/high speed (Km/h)	0-1.5
	Climbing ability (%)	30
	Maximum excavation force of bucket (Kg)	800
	Maximum digging force of bucket rod (Kg)	600
	Maximum excavation radius (mm)	2988
	Maximum digging depth (mm)	1461
	Maximum excavation height (mm)	2604
	Maximum unloading height (mm)	1925
	Maximum deflection Angle (°)	124°
	Track expansion range (mm)	900-1200
Body	Transportation length (mm)	2170
	Transport width (mm)	993
	Transport height (mm)	2314
	Counterweight ground clearance (mm)	418
	Bucket width (mm)	400
	Boom length (mm)	1477
	Bucket rod length (mm)	800
Sliding plate width (mm)	1104	
Engine	Engine	Kubota
	Engine type	D722
	Maximum horsepower (ps)	10.2
	Maximum power (Kw)	7.5
	Maximum speed (rpm)	2500
	displacement	0.719
	Number of cylinders	3
	Cooling mode	Water cooling
	Engine oil replacement (L)	3.5
	Fuel form	Diesel oil
Fuel oil label	0 /-10	
Theoretical fuel consumption (L/h)	1.3-1.5	

Hydraulic system			
Rated set pressure (Mpa)	25	Rated set pressure (Mpa)	18
Maximum flow rate of main pump (L/min)	21.6	Maximum set pressure (Mpa)	20
Multway valve	9 Operate multiple valves together	Travelling hydraulic motor type	BM6-315
Multway valve brand	Tengfei hydraulic	Walking motor brand	Zhenjiang Dali

- Please read the instruction manual carefully and use it correctly.
- Be sure to fasten your seat belt during operation. MExcept for soft top specification.
- When drimng construction machinery wthbody weight of less than 3t, please receive 'special education on driving construction machinery for vehiclesin advance, and be sure to participate in "skills training for driving construction machinery for vehicles' if it is more than 3t ND1322 According to the conditions of the Occupational Safety and Health Act, the body mass may reach 1135kg.
- In order to prevent breakdowns and accidents, be sure to check the machine regularly.



MINI EXCAVATOR NDI322

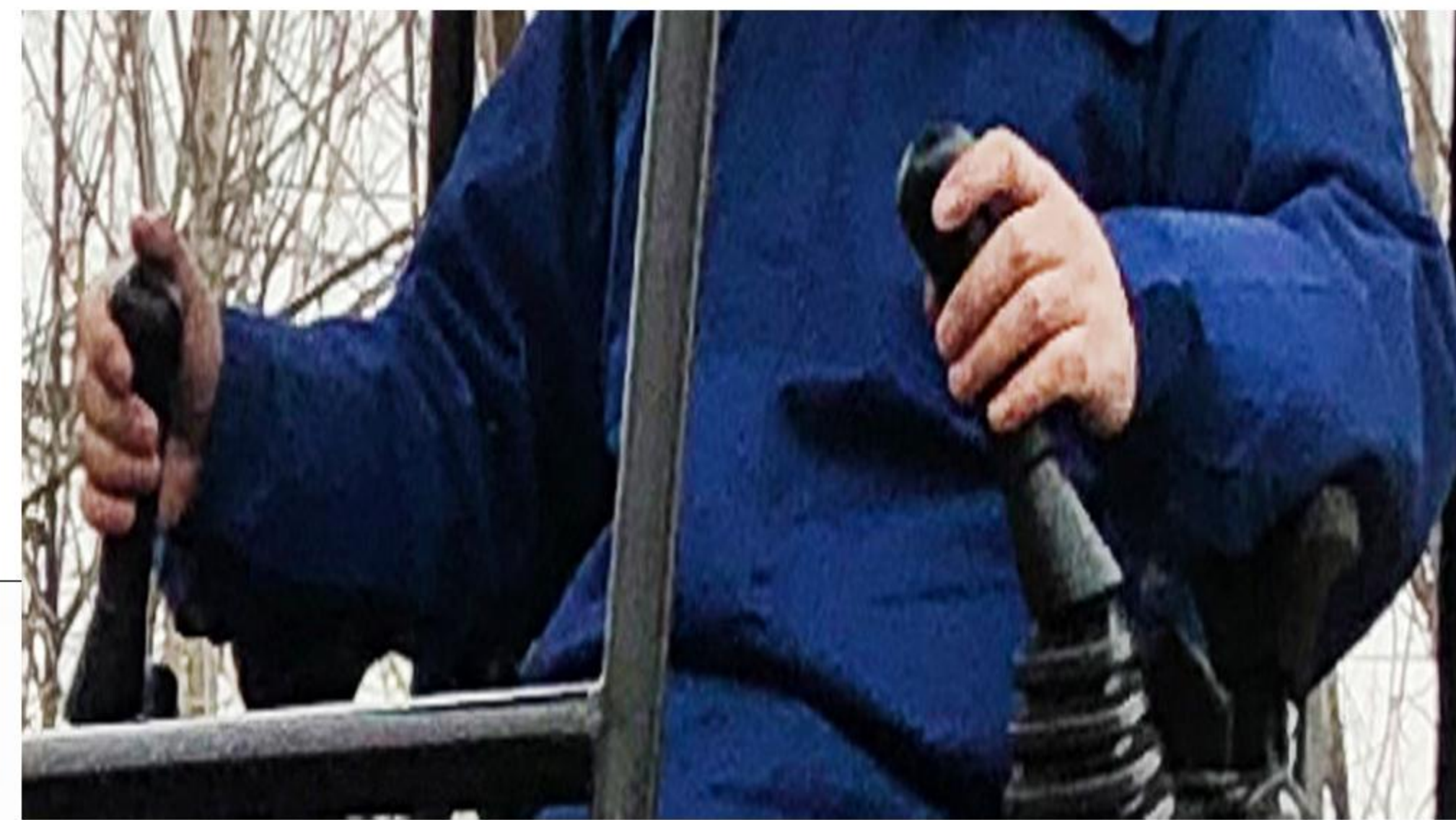


Pilot operation

New pilot filter, smaller size, good filtering effect.

Safely operate the pilot handle to prevent accidental contact and ensure safety.

The operation of small excavator has been improved. Active control of optimal posture in various work scenarios brings the operability of Kubota Mini excavators to a new level.



Wrap the insulation cotton in all directions to ensure that the engine heat is not outsourced. Large diameter silencer, low working noise.



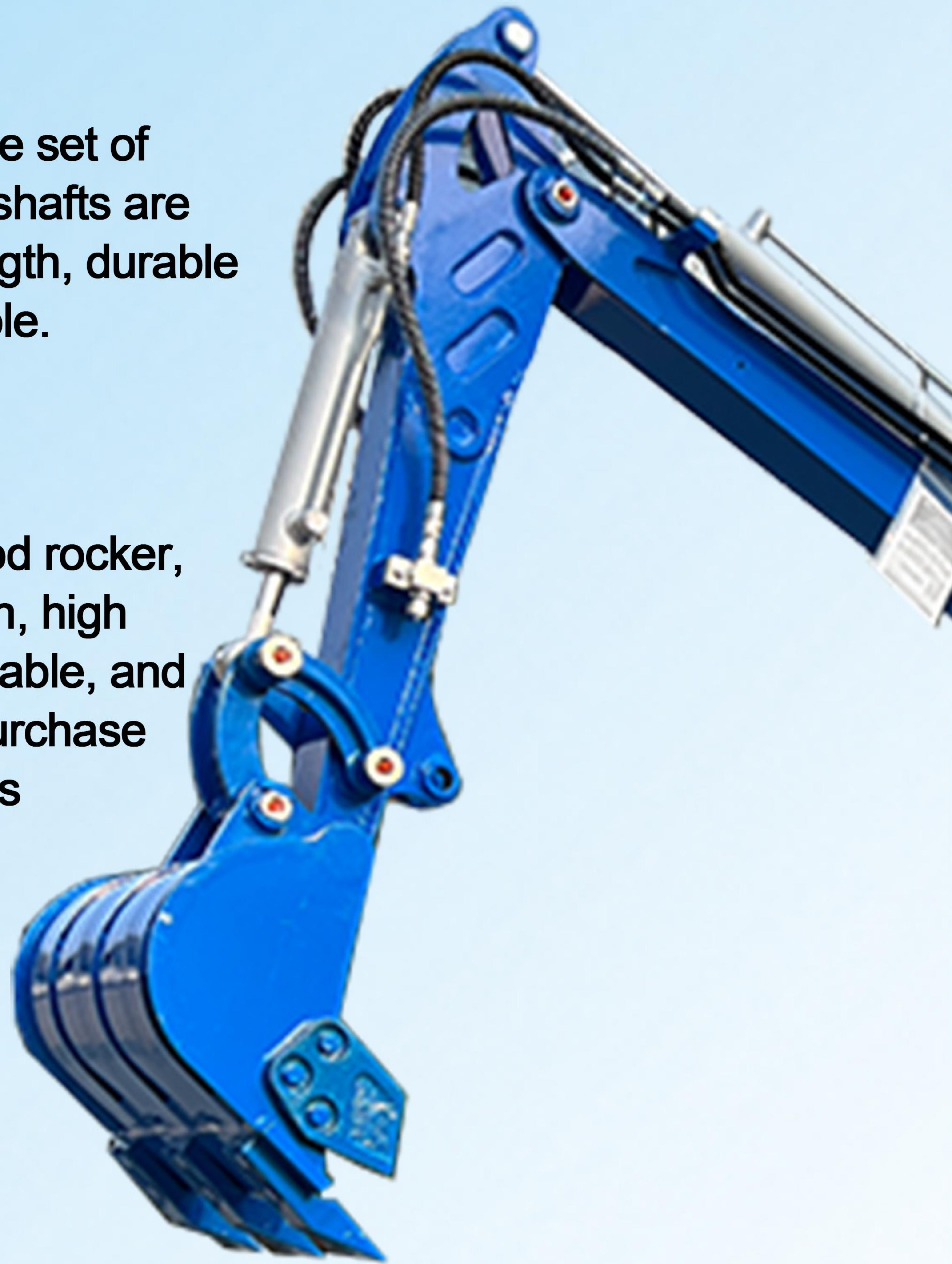
**DEFLECTION
STRETCH
TAILLESS**

GOOD PERFORMANCE

THE LONGER YOU WORK,
THE BETTER YOU GET.

The complete set of finished pin shafts are of high strength, durable and affordable.

Cast connecting rod rocker, with good precision, high strength, more durable, and more affordable purchase of finished products



SMOOTH AND COMFORTABLE

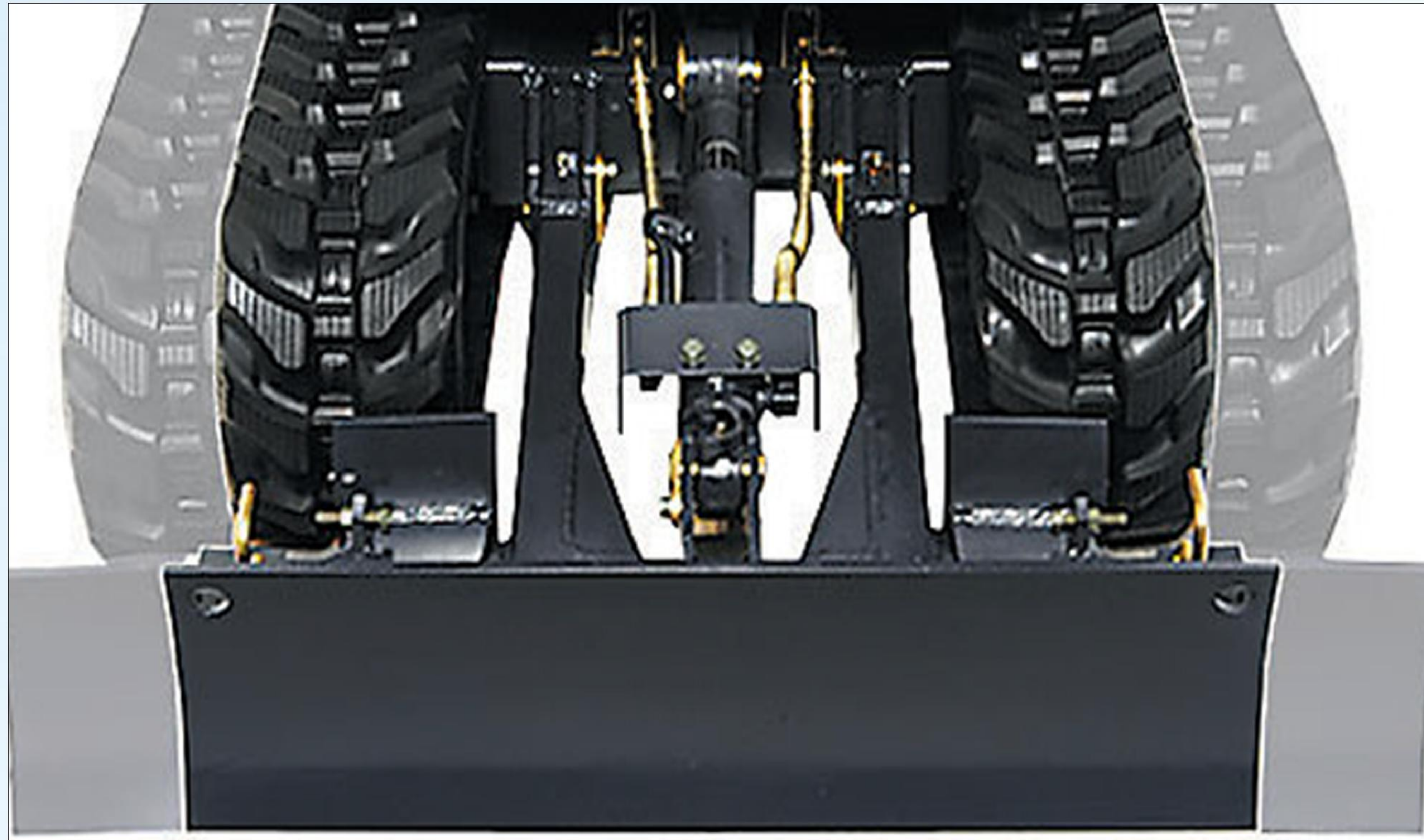
Fine control is achieved. Reduce the impact of starting arm, starting arm and stopping arm. Easy to achieve comfortable operation. In addition, the smooth stop of the arm reduces soil leakage, helping to shorten the time to clean up afterwards.

Cast boom support, boom front fork, rear fork, high precision and strength, beautiful and durable.





With walking telescopic function



Compact when walking and transporting
Contraction time 990mm

Increased stability during excavation operations
Stretch time 1204mm

Smart fusion of safety, comfort, and simple operation at a high level





From field operation to management operation, more efficient and smooth.

Improve fuel efficiency and save energy · To save costs

Direct injection engine

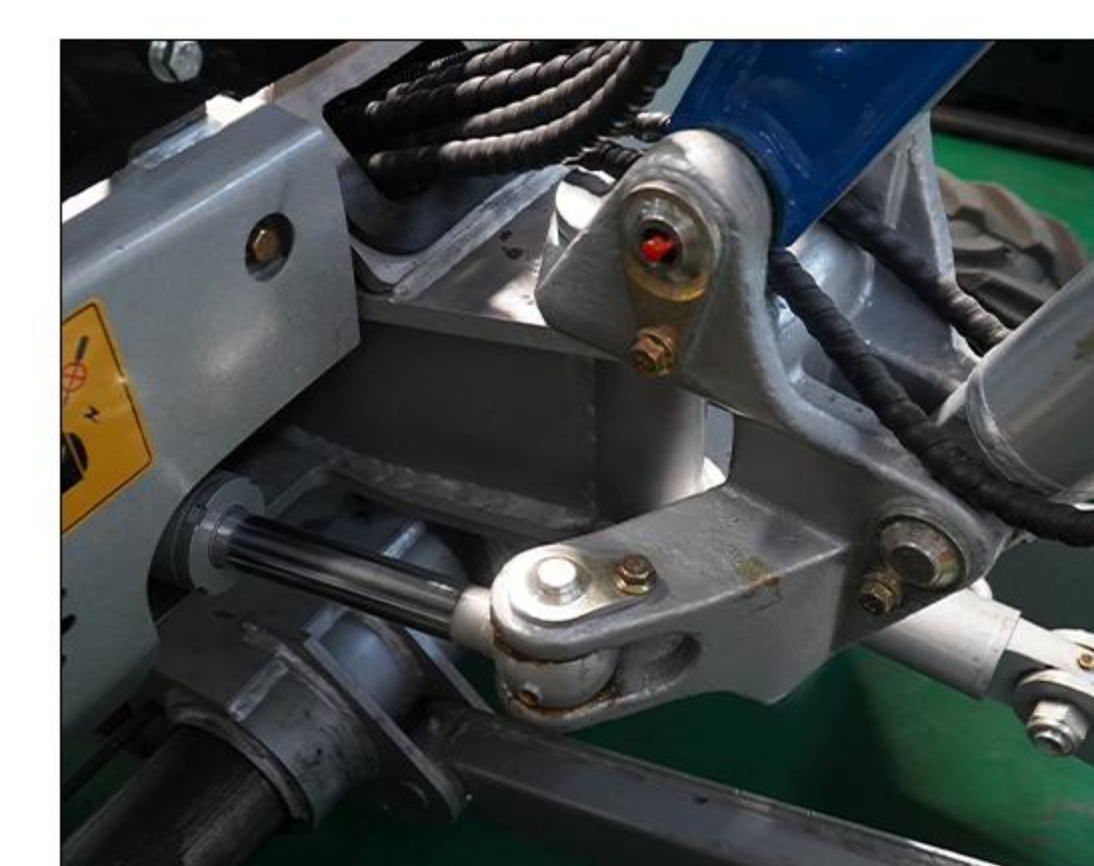
The newly developed direct injection engine through the adoption of fuel economy performance is 14% higher than the previous high speed (when turning around). More needed in the future Environmental performance and cost savings Implement.



1 Cast connecting rod rocker, with good precision, high strength, more durable, and more affordable purchase of finished products.



2 Cast boom support, boom front fork, rear fork, high precision and strength, beautiful and durable.



3 Safely operate the pilot handle to prevent accidental contact and ensure safety.



4 All the conditions of the excavator are clearly presented. In addition, we can also set the functions of the excavator through the dashboard.



6 The design of extending the air filter intake pipe makes the engine maintain sufficient intake air volume, make the fuel burning more fully, and save fuel and energy.



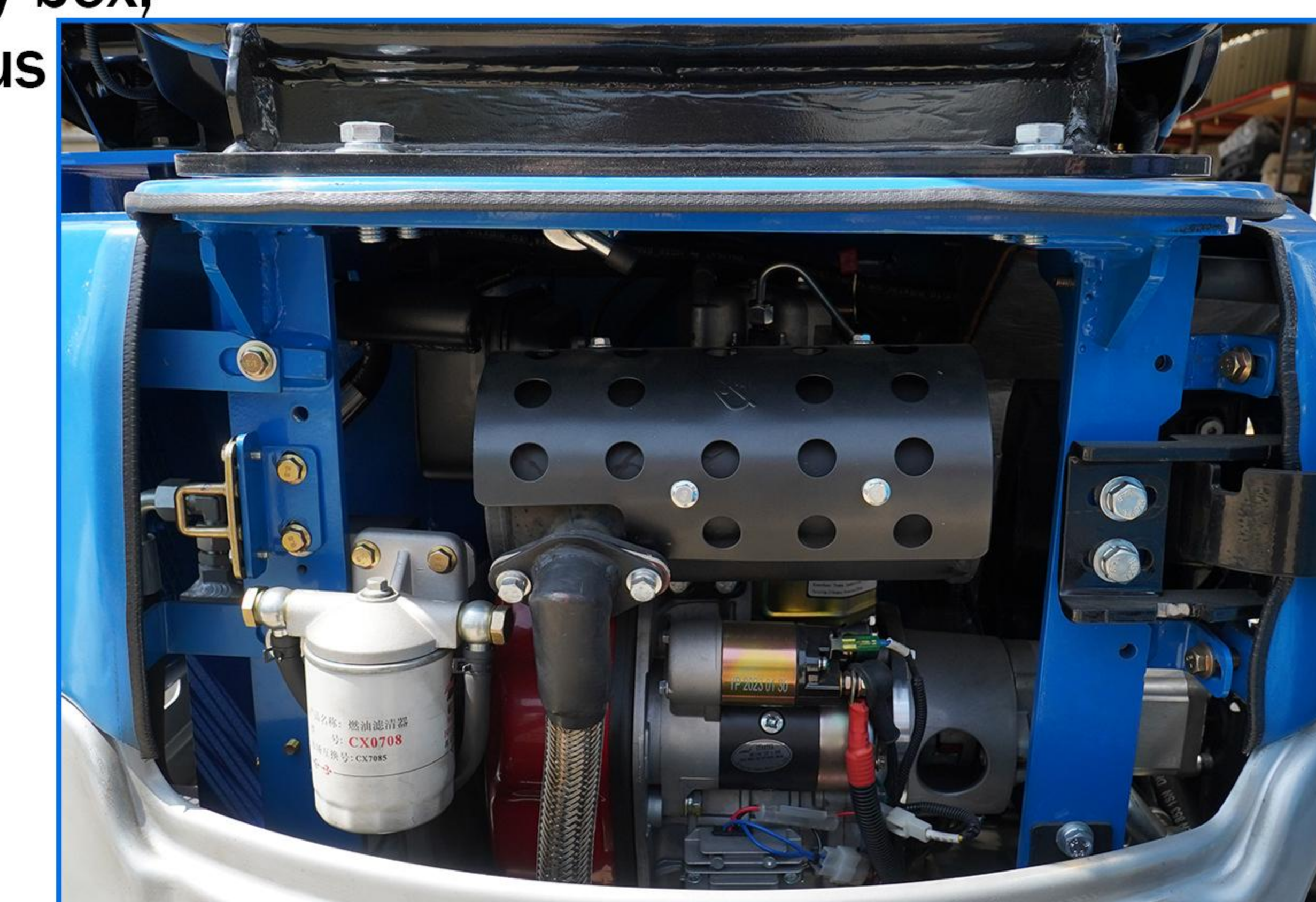
7 The detachable drag chain plate prevents the track from falling, making it safer and more high-end.



Advanced equipment support excellent maintainability

Engine hood, engine hood, hood type of sheet metal construction, easier repair in case of damage, electrical system equipped with a high level of waterproof connector wiring harness, prevent failure. Using fuse and relay box, in one place for inspection and exchange. Numerous devices installed anywhere minimize damage and failure and support accurate maintenance.

The rear engine hood opens up, and the maintenance of fuel system and electrical system is greatly improved. In addition, a lateral single pump network allows easy inspection of control valves and batteries.



5 Pilot deflection foot valve, pilot crushing foot valve, flip structure, can be used as a rest pedal for both purposes, humanized design, high-end atmosphere upscale.

