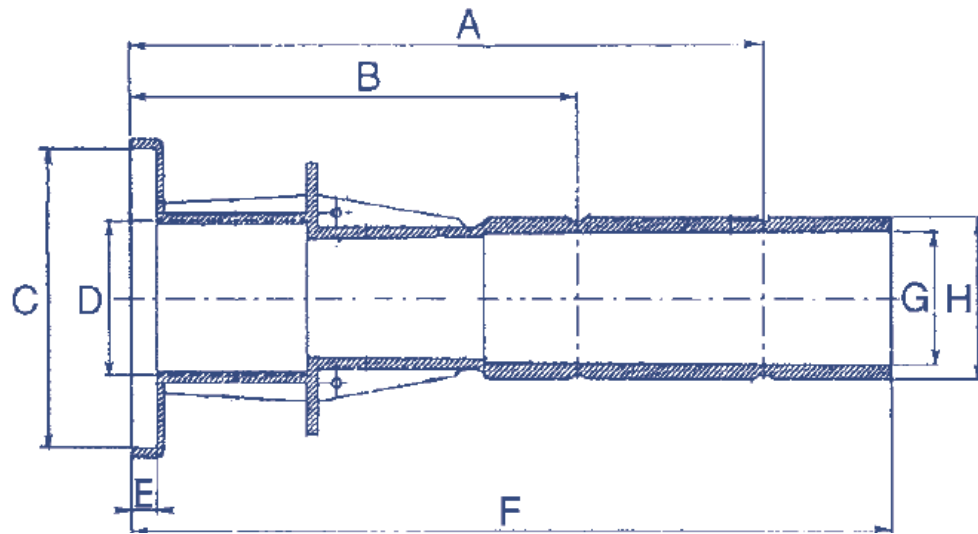


PRODUCTO: **PASAMUROS**
PRODUCT: **WALL CONDUIT**



| Dimensions | Models | | | |
|------------|--------|-------|--------|-------|
| | 15663 | 15664 | 15662 | 15665 |
| A | 250 | 250 | 250 | 250 |
| B | 175 | 175 | 175 | 175 |
| C | Ø118.5 | Ø84 | Ø118.5 | Ø84 |
| D | 2" | 2" | 2" | 2" |
| E | 10 | 24 | 10 | 24 |
| F | 300 | 300 | 300 | 300 |
| G | Ø50 | Ø50 | Ø50 | Ø50 |
| H | 2" | 2" | Ø63 | Ø63 |